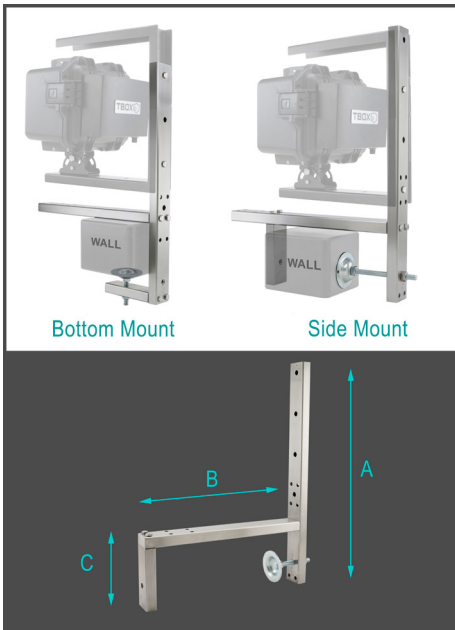


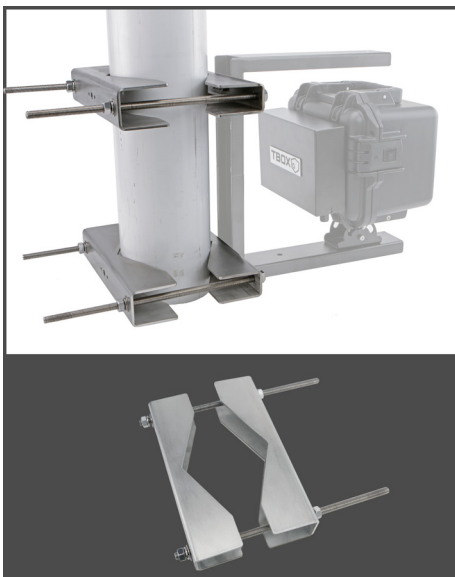
Titan2 Clamp Specifications



Wall Clamp

A Dimension	550mm x 50mm x 25mm
B Dimension	400mm x 50mm x 25mm
C Dimension	137mm x 50mm x 25mm
Material	302 Stainless Steel
Bracket Connection	4nos M6 x 25mm (Stainless Steel)
Clamping	M12 Cup Screw
Mounting Type	F- Clamping or H- Clamping

Bottom Mount	min- 80mm, max- 180mm
Side Mount	min- 250mm, max- 340mm
Max Load	40kg
Total Weight	4.3kg



10 Inch Clamp

Dimension	320mm x 75mm x 60mm
Material	302 Stainless Steel
Screw Thread	M12
Thread Rod	M12- 200mm or M12 – 360mm
Thread Rod Material	302 Stainless Steel
Clamping Round Object	min- 50mm, max- 250mm
Clamping Square Object	min- 50mm, max- 200mm
Mounting Block	20mm x 22.5mm x 57mm
Mounting Block Material	302 Stainless Steel
Mounting Screw	2 nos M6 x 20mm (Stainless Steel)
C Bracket Mounting	1 no M10 x 20mm (Stainless Steel)
Total Weight	5kg
Max Load Per Pair	50kg



2 Inch Clamp

Dimension	130mm x 100mm x 60mm
Max Load	20kg
Max Clamping Size	50mm Round / Square
Mounting Block	20mm x 22.5mm x 57mm
Mounting Block Material	302 Stainless Steel
Mounting Screw	2 nos M6 x 20mm (Stainless Steel)
C Bracket Mounting	1 no M10 x 20mm (Stainless Steel)